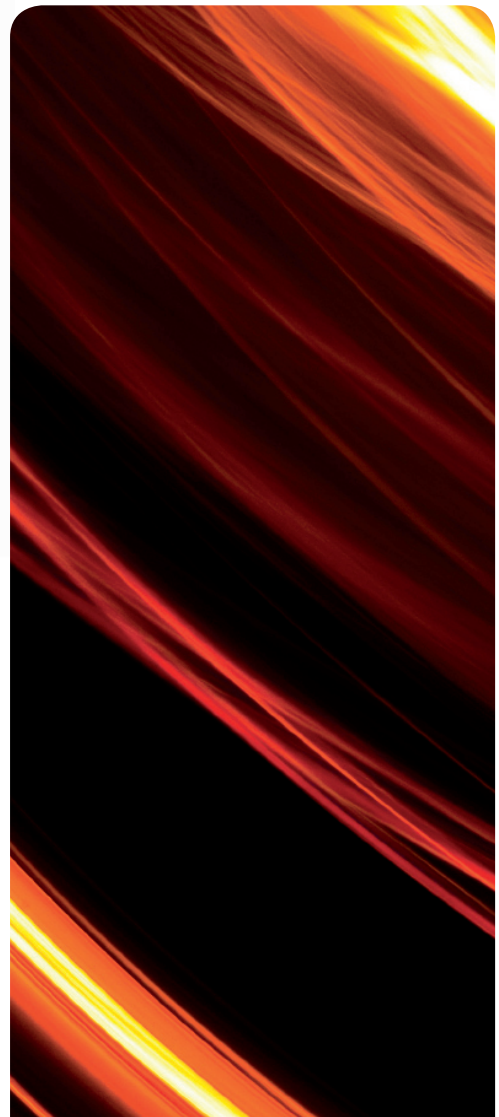


# RKK SERIES 6kV • 10kV MOTORS



## RKK SERIES 6KV MOTORS

Frame size: 355mm ~ 630mm  
Power: 185kW ~ 2000kW

P. 03

## RKK SERIES 10KV MOTORS

Frame size: 400mm ~ 630mm  
Power: 160kW ~ 1600kW

P. 08

## BRIEF DESCRIPTION

**RKK series (6kV)** motor is of wound rotor three phase asynchronous motor (centre height from 355mm to 630mm), which complies with JB/T10314.2-2002. The protection degree of the motor is of IP44/IP54 and the cooling method is of IC611.

The motor has such advantage as high efficiency, energy saving, low noise, low vibration, light weight and reliable performance. They are easy for installation and maintenance. This motor can generate larger starting torque at the state of relatively lower starting current. It used where the capacity of the feeder line is insufficient to start a squirrel cage motor or where the longer starting time and frequent starting are needed or where adjustment of speed is needed with in a limited range such as windlass, press machines, drawing machines.

The structure and the mounting type is of IMB3 with continuous duty (S1). The rated frequency is 50Hz and the rated voltage is 6kV, other voltage requirement or special requirements should be negotiate with us before order is placed.

### **When ordering, the following requirements should be specified**

Motor Type	Mounting Type
Rated Power	Protection Degree
Rated Voltage	Cooling Method
Rated Frequency	Insulation Class
Synchronous Speed	Ambient Condition

### **Please note**

Belt driving is not allowed on the motor of 2 poles and 4 poles. Belt driving applied on the motor of other poles, should be negotiated with us.

## TECHNICAL DATA (STANDARD VALUE)

Type	Rated power	Rated current	Speed	Efficiency	Power factor	Max. torque	Rotor voltage	Rotor current	J (motor)	Mass	Lubrication time
	kW	A			COS $\Phi$	times					
RKK3552-4	185	23.3	1485	92	0.83	1.8	323	349	3.5	2370	1000
RKK3553-4	200	25.2		92.2			355	342	3.8	2490	
RKK3554-4	220	27.6		92.4			399	334	4.3	2550	
RKK4001-4	250	30.9		92.7	0.84		372	407	6.5	3160	
RKK4002-4	280	34.5		92.8			401	423	7	3260	
RKK4003-4	315	38.8		92.9			434	439	7.8	3360	
RKK4004-4	355	43.7		93			474	452	8.3	3460	
RKK4005-4	400	49.2		93.2	0.85		475	514	9	6530	
RKK4501-4	450	54.6		93.4			474	573	12.3	3750	
RKK4502-4	500	60.5		93.6			521	578	13.3	3870	
RKK4503-4	560	67.5		93.9	0.86		580	581	14.5	4130	
RKK4504-4	630	75.7		94.2			651	578	17	4160	
RKK5001-4	710	84.3		94.3			917	461	27.5	5090	
RKK5002-4	800	94.9		94.4			983	485	30.3	5240	
RKK5003-4	900	106.6		94.5	0.87		1060	507	35	5340	
RKK5004-4	1000	118.3		94.6			1149	519	37.8	5510	
RKK5602-4	1120	130.8		94.7			1063	633	66.3	7700	
RKK5603-4	1250	145.8		94.8	0.87		1153	651	69.8	8000	
RKK5604-4	1400	163.2		94.9			1259	668	76.8	8400	
RKK6301-4	1600	186.3		95			1381	689	99	8740	
RKK6302-4	1800	209.4	95.1	1535		696	113.5	9100			
RKK6303-4	2000	232.4	95.2	985	1.8	1730	686	127.8	9400	2000	
RKK4001-6	185	23.6	91.9			0.82	274	412	10.6		3120
RKK4002-6	200	25.5	92.1				292	418	11.5		3230
RKK4003-6	220	28	92.3				314	428	12.3		3310
RKK4004-6	250	31.7	92.5			0.83	338	452	13.3		3420
RKK4005-6	280	35.5	92.6				366	466	14.5		3530
RKK4501-6	315	39.4	92.8				336	571	17.8		3700
RKK4502-6	355	44.3	93				365	595	19		3820
RKK4503-6	400	49.7	93.3			0.84	438	552	20.8		3940
RKK4504-6	450	55.9	93.4				487	558	24.3		4060
RKK5001-6	500	61.2	93.6				853	348	39		4730
RKK5002-6	560	68.4	93.8			0.84	915	362	42.8		4930
RKK5003-6	630	76.7	94.1				1048	355	50		5130

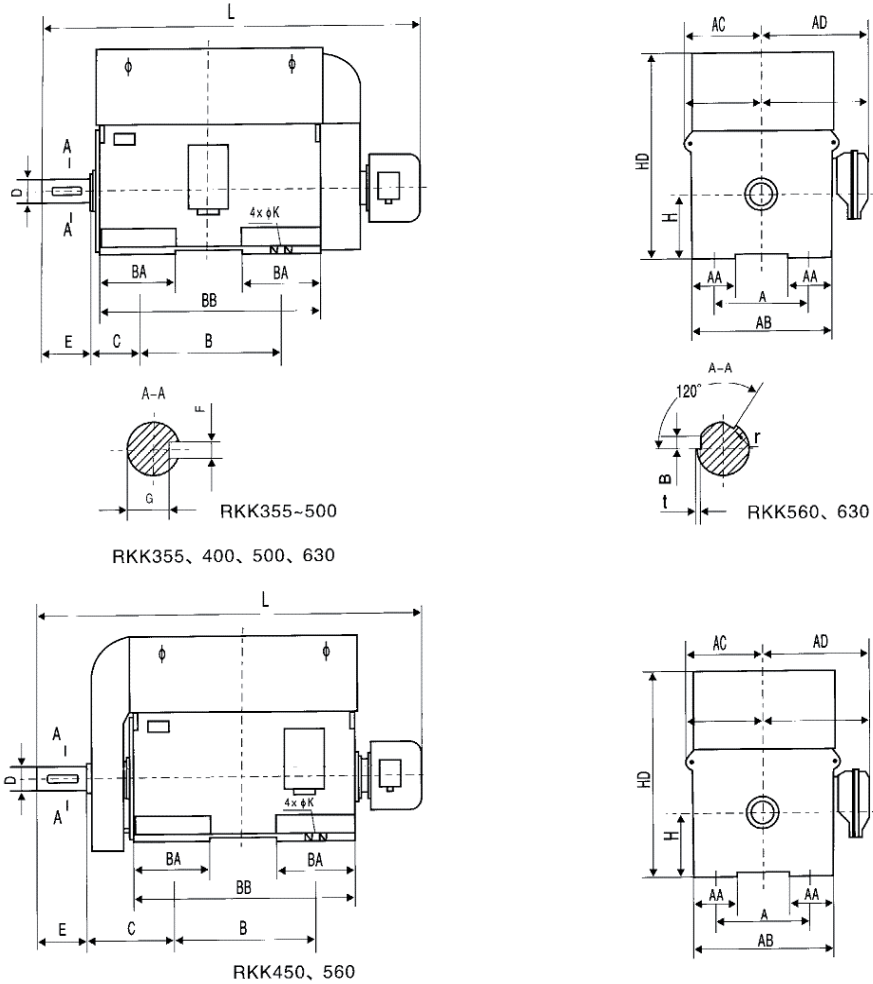
## TECHNICAL DATA (STANDARD VALUE)

Type	Rated power	Rated current	Speed	Efficiency	Power factor	Max. torque	Rotor voltage	Rotor current	J (motor)	Mass	Lubrication time	
	kW	A			COSt	times						V
RKK5004-6	710	86.3	991	94.3	0.84	1.8	1152	363	53.5	5480	2000	
RKK5602-6	800	95.8		94.5			901	536	99	7600		
RKK5603-6	900	107.7		94.6			1030	525	108	7900		
RKK5604-6	1000	119.4		94.8			1060	570	122.5	8200		
RKK6301-6	1120	133.6	992	94.9	0.85	1233	540	137.5	8880			
RKK6302-6	1250	149		95		1345	551	152.8	9100			
RKK6303-6	1400	166.7		95.1		1647	503	170.3	9800			
RKK4004-8	185	24.9	738	91.8	0.78	1.8	443	254	13.2	3320	2000	
RKK4005-8	200	26.8		92			475	256	14.5	3410		
RKK4501-8	220	29.1		0.79	92.2		507	260	15.8	3700		
RKK4502-8	250	33			92.3		544	276	19	3820		
RKK4503-8	280	36.9			92.5		587	287	20.8	3940		
RKK4504-8	315	41.4			92.6		637	298	22.5	4060		
RKK5001-8	355	46.1	741	92.7	0.8	601	352	24.3	4710			
RKK5002-8	400	51.8		93		661	360	36.3	4820			
RKK5003-8	450	58.2		93.1		735	364	42.8	5050			
RKK5004-8	500	64.4		93.5		826	358	46	5310			
RKK5601-8	560	71		0.81	93.7	670	503	53.5	7500			
RKK5602-8	630	79.7			93.9	745	508	113	7800			
RKK5603-8	710	89.7			94	840	508	127.8	8200			
RKK5604-8	800	100.9			94.2	960	499	144.8	8500			
RKK6301-8	900	113.4	743	94.3	0.81	1018	523	137.5	8860	2000		
RKK6302-8	1000	125.8		94.4		1141	516	152.8	9000			
RKK6303-8	1120	140.8		94.5		1231	538	167.8	9300			
RKK6304-8	1250	157		94.6		1455	505	182.8	9990			
RKK4501-10	185	26.1	588	90.9	0.75	1.8	473	237	25.5		3550	3000
RKK4502-10	200	28.2		91.1			510	237	27.5		3680	
RKK4503-10	220	30.9		91.3			553	240	30		3800	
RKK4504-10	250	35.1		91.5			604	249	32.5		3920	
RKK5001-10	280	38.6	593	91.8	0.76	598	277	35	4810			
RKK5002-10	315	43.4		91.9		658	283	47.3	5010			
RKK5003-10	355	48.8		92.1		731	287	52	5210			
RKK5004-10	400	54.6		92.8	821	286	55.5	5410				
RKK5601-10	450	60.4		93.1	0.77	671	406	60.3	7200			

## TECHNICAL DATA (STANDARD VALUE)

Type	Rated power	Rated current	Speed	Efficiency	Power factor	Max. torque Rated torque	Rotor voltage	Rotor current	J (motor)	Mass	Lubrication time	
	kW	A										r/min
RKK5602-10	500	67	592	93.3	0.77	1.8	742	403	123.8	7500	3000	
RKK5603-10	560	74.8		93.5			836	400	141.8	7800		
RKK5604-10	630	84.1		93.6			958	393	157.5	8100		
RKK6301-10	710	93.5	594	93.7	0.78		1016	409	156.6	8810		
RKK6302-10	800	105.2		93.8			1102	491	185	8900		
RKK6303-10	900	118.2		93.9			1201	439	152.8	9200		
RKK6304-10	1000	131.1		94.1			1322	444	200	9600		
RKK4503-12	185	28.1	491	90.6	0.7		1.8	437	252	32.5		3900
RKK4504-12	200	30.3		90.8				501	237	35		4000
RKK5001-12	220	32.3		91	467			278	50.8	4840		
RKK5002-12	250	36.6	0.72	91.3	501	296		55.5	5040			
RKK5003-12	280	40.8		91.7	539	308		60	5230			
RKK5004-12	315	45.8		92	584	320		65	5330			
RKK5602-12	355	48.3		92.1	646	329		108	7200			
RKK5603-12	400	57.1	494	92.3	0.73	710		337	119	7500		
RKK5604-12	450	64.1		92.5		789		340	130	7800		
RKK6301-12	500	69.2	496	92.7	0.75	759		392	144	9000		
RKK6302-12	560	77.4		92.8		853	389	147.8	9180			
RKK6303-12	630	87		92.9		976	382	170.3	9600			
RKK6304-12	710	98		93		1140	368	185	9980			

## MOUNTING AND OUTLINE DIMENSION



Frame	Pole	Mounting Dimension (mm)											Contour Dimension (mm)									
		A	B	C	D	E	F	G	t	b	r		H	K	AA	AB	BA	BB	AC	AD	HD	L
											min	mas										
RKK355	4	630	900	315	100	210	28	90	---	---	---	---	355	28	250	800	485	1480	510	700	1230	2650
RKK400	4~8	710	1000	335	110		28	100	---	---	---	---	400	35	275	900	550	1610	560	750	1365	2820
RKK450	4 6~12	800	1120	670	120 130	250	32	109 119	---	---	---	---	450		42	305	1000	575	1660	610	800	1670
RKK500	4 6~12	900	1250	475	130 140		32 36	119 128	---	---	---	---	500	42		325	1120	720 650	1960 1760	670	860	1780
RKK560	4 6~12	1000	1400	800	150 160	300	---	---	11.4	39.7	0.7	1	560		48	270	1260	700	1966	730	930	2060
RKK630	4 6~12	1120	1600	530	170 180		---	---	12.4	44.2			630	48		245	1350	800	2235	790	980	2520

## BRIEF DESCRIPTION

**RKK series (10kV)** motor is of wound rotor three phases asynchronous motor (center height from 400mm to 630mm). This motor can be used directly with starting 10kV, so that it is energy saving, investment saving and simplified equipments. The protection degree of the motor is of IP44/IP54 and the cooling method is of IC611.

The motor has such advantage as high efficiency, energy saving, low noise, low vibration, light weight and reliable performance. They are easy for installation and maintenance. This motor can generate larger starting torque at the state of relatively lower starting current. It used where the capacity of the feeder line is insufficient to start a squirrel cage motor or where the longer starting time and frequent starting are needed or where adjustment of speed is needed within a limited range such as windlass, press machines, drawing machines.

The structure and the mounting type is of IMB3 with continuous duty (S1). The rated frequency is 50Hz and the rated voltage is 10kV. Other voltage requirement or special requirements should be negotiate with us before order is placed.

### **When ordering, the following requirements should be specified**

Motor Type	Mounting Type
Rated Power	Protection Degree
Rated Voltage	Cooling Method
Rated Frequency	Insulation Class
Synchronous Speed	Ambient Condition

### **Please note**

Belt driving is not allowed on the motor of 2 poles and 4 poles. Belt driving applied on the motor of other poles, should be negotiated with us.



## TECHNICAL DATA (STANDARD VALUE)

Type	Rated power kW	Rated current A	Speed r/min	Efficiency %	Power factor COSΦ	Max. torque Rated torque times	Rotor voltage V	Rotor current A	Mass kg	Lubrication time h
RKK4001-4	185	14.3	1485	91.3	0.82	1.8	378	294	3230	1000
RKK4002-4	200	15.4		91.6			404	297	3300	
RKK4003-4	220	16.9		91.9			433	305	3390	
RKK4004-4	250	19.1		92.2			468	321	3480	
RKK4501-4	280	21.5		91.9	405		422	3946		
RKK4502-4	315	23.8		92.1	468		409	3988		
RKK4503-4	355	26.8		92.3	507		425	4025		
RKK4504-4	400	30.1		92.5	530		458	4165		
RKK4505-4	450	33.8		92.6	577		471	4195		
RKK5001-4	500	37.9	1490	92.8	0.82		856	349	5400	
RKK5002-4	560	41.4		93	0.84		922	363	5700	
RKK5003-4	630	45.9		93.3	0.85		972	387	5750	
RKK5004-4	710	51		93.4	1001		424	5800		
RKK5005-4	800	57.4		93.5	1091		437	5950		
RKK5601-4	900	64.6		93.5	0.86		850	631	6500	
RKK5602-4	1000	71.6		93.7	916		650	6750		
RKK5603-4	1120	80.1		93.8	994		673	7000		
RKK6301-4	1250	87.2		94	1071		705	8700		
RKK6302-4	1400	97.6	94.1	0.88	1283	653	8950			
RKK6303-4	1600	111.2	94.4	1426	670	9200				
RKK4001-6	185	15.4	990	91.2	0.76	1.8	383	289	3400	2000
RKK4002-6	200	16.6		91.4			406	293	3470	
RKK4003-6	220	18.2		91.6			434	302	3550	
RKK4502-6	250	19.7		91.8	419		361	4130		
RKK4503-6	280	22		92	0.8		471	359	4220	
RKK4504-6	315	24.7		92.2	507		374	4298		
RKK5001-6	355	28.1		92.4	0.79		713	296	5150	
RKK5002-6	400	31.2		92.6	0.8		809	294	5300	

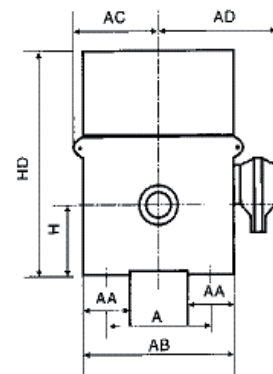
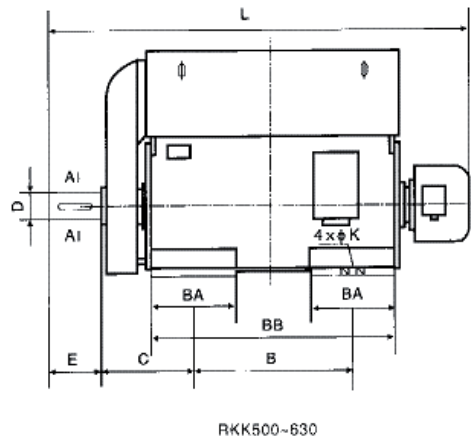
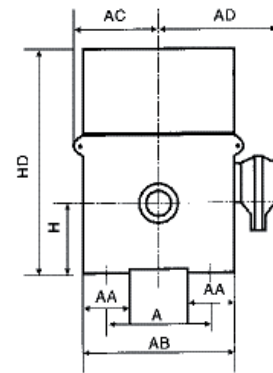
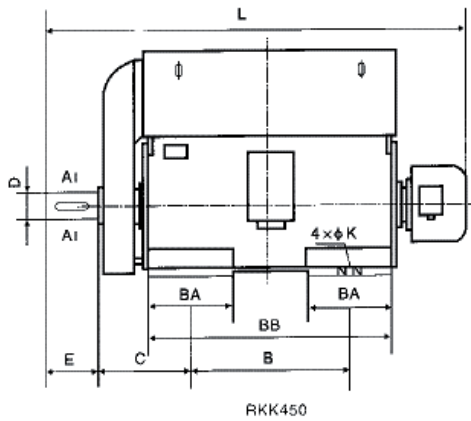
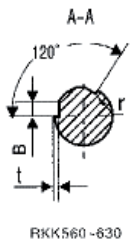
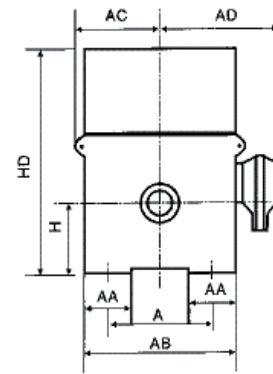
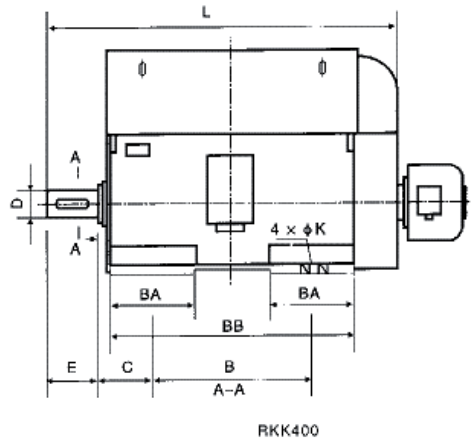
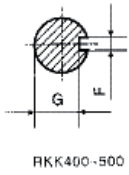
## TECHNICAL DATA (STANDARD VALUE)

Type	Rated power kW	Rated current A	Speed r/min	Efficiency %	Power factor COSΦ	Mlx. torque Rated torque times	Rotor voltage V	Rotor current A	Mass kg	Lubrication time h
RKK5003-6	450	35	990	92.8	0.8	1.8	845	316	5450	2000
RKK5004-6	500	38.8		93			906	327	5600	
RKK5605-6	560	43.4		93.2			934	356	5750	
RKK5601-6	630	47.4		93.5	794		472	6450		
RKK5602-6	710	53.4		93.7	846		499	6650		
RKK5603-6	800	60		93.8	908		525	6850		
RKK5604-6	900	67.5		93.9	978		548	7100		
RKK6301-6	1000	73.1		94	977		609	8650		
RKK6302-6	1120	81.7		94.2	1059		686	8900		
RKK6303-6	1250	90.9		94.5	1274		581	9100		
RKK500-8C	160	14.7	745	91.3	0.69	1.8	496	193	4200	2000
RKK500-8B	185	16.5		91.4	0.71		496	223	4250	
RKK500-8A	200	17.8		91.5			520	229	4300	
RKK5001-8	220	19.5		91.6			547	240	4750	
RKK5002-8	250	22.1		91.9	576		259	4900		
RKK5003-8	280	24		92.1	0.73		636	261	5050	
RKK5004-8	315	27		92.4			675	278	5250	
RKK5005-8	355	29.1	740	92.6	0.76		716	294	5450	
RKK5006-8	400	32.7		92.8			731	326	5600	
RKK5601-8	450	36.2	745	93.1	0.77		792	338	6340	
RKK5602-8	500	40.2		93.3		844	352	6640		
RKK5603-8	560	44.9		93.5		905	368	6950		
RKK5604-8	630	50.5		93.6		974	385	7200		
RKK6301-8	710	53.4	740	93.7	0.82	976	431	8650		
RKK6302-8	800	60		93.8		1058	447	8900		
RKK6303-8	900	67.4		94		1156	461	9100		
RKK5001-10	160	15.2	594	90.6	0.67	1.8	546	184	4600	3000
RKK5002-10	185	16.8		90.7	0.7		575	201	4700	

## TECHNICAL DATA (STANDARD VALUE)

Type	Rated power kW	Rated current A	Speed r/min	Efficiency %	Power factor COSΦ	Mtx. torque Rated torque times	Rotor voltage V	Rotor current A	Mass kg	Lubrication time h
RKK5003-10	200	18.2	594	90.8	0.7	1.8	604	206	5000	3000
RKK5004-10	220	20		91			643	214	5050	
RKK5005-10	250	22		91.3	0.72		682	228	5250	
RKK5006-10	280	24.6		91.5			729	240	5450	
RKK5007-10	315	24.6		91.5			797	252	5650	
RKK5601-10	355	29.4	595	91.7	0.76		736	288	6400	
RKK5602-10	400	33.1		91.8			789	302	6570	
RKK5603-10	450	37.2		92			851	316	6740	
RKK5604-10	500	41		92.3	0.78		922	324	6950	
RKK6301-10	560	44.7		92.8			887	373	8600	
RKK6302-10	630	50.1		93		963	388	8850		
RKK6303-10	710	56.4		93.1		1052	401	9050		
RKK6304-10	800	63.5	492	93.2	0.67	1283	366	9200		
RKK5601-12	220	21		90.6	0.67	622	210	6370		
RKK5602-12	250	23.7		90.8		660	225	6530		
RKK5603-12	280	25.8		91	0.69	701	237	6750		
RKK5604-12	315	28.9		91.2		749	250	6900		
RKK5605-12	355	32.5		91.4		0.73	803	263	7050	
RKK6301-12	400	34.5		91.6	797		296	8605		
RKK6302-12	450	38.2		91.8	0.75		858	309	8850	
RKK6303-12	500	41.8		92			930	317	9050	
RKK6304-12	560	46.8	92.1	1016			326	9200		

## MOUNTING AND OUTLINE DIMENSION



## MOUNTING AND OUTLINE DIMENSION

Frame	Pole	Mounting Dimensions (mm)												Outline Dimensions (mm)										Remarks
		A	B	C	D	E	F	G	t	b	r min max		H	K	AA	AB	BA	BA	BB	AC	AD	HD	L	
YRKK400	4~6	710	1000	335	100	210	28	90	--	--	--	--	400	35	275	900	585	--	1680	560	895	1445	2900	--
YRKK450	4~6	800	1120	670	110	210	28	100	--	--	--	--	450	35	305	1000	535	615	1660	610	810	1560	2760	--
YRKK500	4	900	1250	710	120	210	32	109	--	--	--	--	500	42	315	1120	650	--	1760	660	1080	1750	2870	--
	6				130	250		119														1630	2910	
	8~10																							
YRKK560	4	1000	1400	800	150	250	--	--	11	40	0.7	1	560	42	380	1260	700	--	1960	760	910	2010	3310	--
	6~12				160	300			12	43												3360		
YRKK630	4	1120	1600	900	170	300	--	--	12	44	0.7	1	630	48	360	1350	745	2124	790	980	2200	3645	YRKK1-4 3-4 YRKK6301-6-12 YRKK6302-6-12 YRKK6303-8-12	
	6~12				180					46							800				2234	2260	3710	YRKK6303-6 YRKK6304-10, 12

The technical characteristics, dimensions and other data in this catalog are not binding.

**Simo Top Group** reserves the right to change at any time and without notice.

[www.simotopgroup.com](http://www.simotopgroup.com)



SIMOTOP GROUP SPA  
Via Ca' Bianca 320  
40024 Castel San Pietro (BO) - Italy  
Tel. +39 051 6951975  
Fax +39 051 941634  
[info@simotopgroup.com](mailto:info@simotopgroup.com)